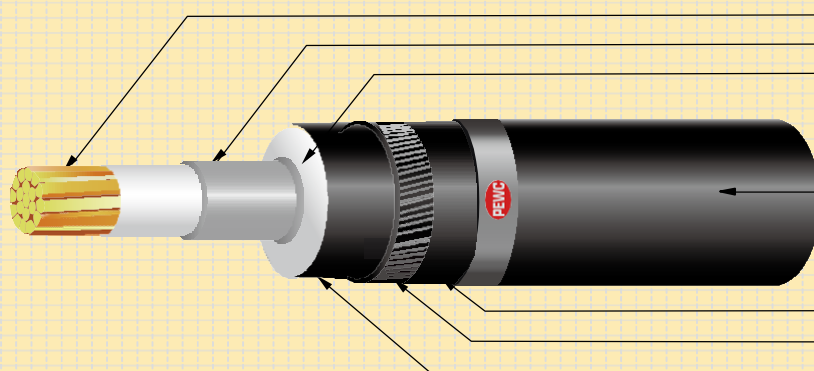
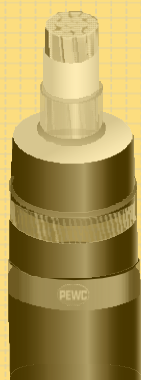


# Cable Data Sheet



- Conductor
- Conductor Screen
- XLPE Insulation
- PVC Sheath
- Binder tape
- Wire Shielding
- Insulation Screen

## 69KV XLPE Power Cable

TPC A007

Conductor			Thick. of Insulation	Wire Shielding		Thick. of Sheath	Approx. Overall Diameter	Electrical Property			
Nominal Cross-section Area	Shape	Nom. Dia.		Nom. Dia.	No.			Max. Conductor DC Resistance (20°C)	A.C. Voltage Test (5min.)	Min. Insulation Resistance (15.6°C)	Partial Discharge
mm <sup>2</sup>	—	mm	mm	mm	—	mm	mm	Ω/Km	KV	MΩ-Km	KV
100	Compact Circular	12.0	16.5	1.4	65	3.5	63	0.187	130	3000	80
150		14.7	16.5	1.4	65	3.5	66	0.124	130	2700	80
200		17.0	16.5	1.4	65	3.5	68	0.0933	130	2500	80
250		19.0	16.5	1.4	65	3.5	71	0.0754	130	2300	80
325		21.7	16.5	1.4	65	3.5	74	0.0580	130	2200	80
400		24.1	16.5	1.4	65	3.5	76	0.0471	130	2000	80
500		26.9	16.5	1.4	65	4.0	80	0.0376	130	1900	80
600		29.5	16.5	1.4	65	4.0	83	0.0308	130	1800	80
800		34.0	16.5	1.4	65	4.5	89	0.0231	130	1600	80
1000		38.0	16.5	1.4	65	4.5	92	0.0187	130	1500	80
1200	Segmental	41.7	16.5	1.4	65	4.5	97	0.0156	130	1400	80
1400		45.0	16.5	1.4	65	4.5	100	0.0133	130	1300	80
1600		48.2	16.5	1.4	65	4.5	103	0.0117	130	1200	80