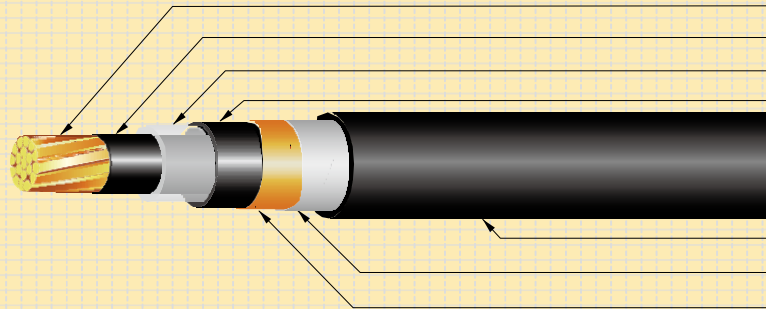
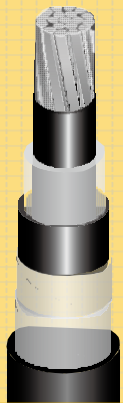


15KV XLPE-PVC Power Cable (Grounded System)

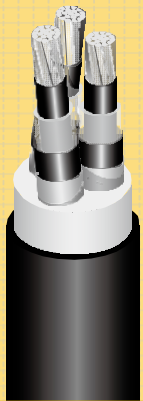


Conductor
 Conductor Screen
 XLPE Insulation
 Insulation Screen
 Sheath
 Separation Tape
 Copper Tape Screen

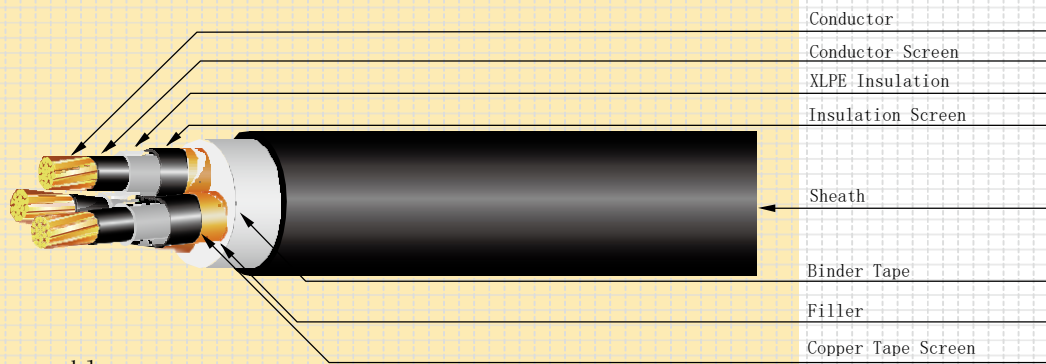
Construction of 1 core cable

	Conductor Size	Min. Average Thickness of Insulation	Min. Average Thickness of Sheath	Approx. Overall Diameter	A.C. Voltage Test	Max. Conductor D.C. Resistance (20°C)	Min. Insulation Resistance (20°C)	Approx. Cable Weight	Standard Length
	mm ²	mm	mm	mm	KV/5min.	Ω/km	MΩ-km	kg/km	m
1C	30	4.45	1.52	23	35	0.623	3,500	760	300
	38	4.45	2.03	24	35	0.487	3,500	856	300
	50	4.45	2.03	25	35	0.378	3,000	1,000	300
	60	4.45	2.03	26	35	0.303	3,000	1,130	300
	80	4.45	2.03	28	35	0.229	2,500	1,340	200
	100	4.45	2.03	29	35	0.180	2,500	1,590	200
	125	4.45	2.03	31	35	0.144	2,500	1,860	200
	150	4.45	2.03	32	35	0.118	2,000	2,167	200
	200	4.45	2.03	35	35	0.0922	2,000	2,628	200
	250	4.45	2.03	37	35	0.0722	1,500	3,246	200
	325	4.45	2.03	40	35	0.0565	1,500	3,976	200
3C	400	4.45	2.03	42	35	0.0454	1,500	4,785	150
	500	4.45	2.79	47	35	0.0373	1,500	5,850	150
	600	5.59	2.79	51	35	0.0304	1,000	7,021	150
	800	5.59	2.79	55	35	0.0234	1,000	8,841	150
	1000	5.59	2.79	60	35	0.0179	1,000	11,220	150
	30	4.45	2.03	47	35	0.635	3,500	2,400	200
	38	4.45	2.03	48	35	0.497	3,500	2,840	200
	50	4.45	2.03	51	35	0.386	3,000	3,000	200
	60	4.45	2.03	52	35	0.309	3,000	3,744	200
	80	4.45	2.79	56	35	0.234	2,500	4,100	150
	100	4.45	2.79	59	35	0.184	2,500	5,084	150
125	4.45	2.79	63	35	0.147	2,500	5,600	150	
150	4.45	2.79	66	35	0.120	2,000	7,176	150	
200	4.45	2.79	70	35	0.0940	2,000	8,441	150	
250	4.45	3.56	75	35	0.0736	1,500	10,920	150	
325	4.45	3.56	81	35	0.0576	1,500	13,310	150	

15KV XLPE-PVC Power Cable (Ungrounded System)



Construction of 3 core cable



	Conductor Size	Min. Average Thickness of Insulation	Min. Average Thickness of Sheath	Approx. Overall Diameter	A.C. Voltage Test	Max. Conductor D.C. Resistance	Min. Insulation Resistance (20°C)	Approx. Cable Weight	Standard Length
	mm ²	mm	mm	mm	KV/5min.	Ω/km (20°C)	MΩ-km	kg/km	m
1C	38	5.59	2.03	27	44	0.487	3,500	964	200
	50	5.59	2.03	28	44	0.378	3,500	1,100	200
	60	5.59	2.03	29	44	0.303	3,000	1,244	200
	80	5.59	2.03	30	44	0.229	3,000	1,450	200
	100	5.59	2.03	32	44	0.180	2,500	1,721	150
	125	5.59	2.03	34	44	0.144	2,500	2,010	150
	150	5.59	2.03	35	44	0.118	2,500	2,310	150
	200	5.59	2.03	37	44	0.0922	2,000	2,767	150
	250	5.59	2.03	39	44	0.0722	2,000	3,392	150
	325	5.59	2.79	44	44	0.0565	2,000	4,130	150
	400	5.59	2.79	47	44	0.0454	1,500	5,124	150
	500	5.59	2.79	50	44	0.0373	1,500	6,031	150
	600	5.59	2.79	53	44	0.0304	1,500	7,266	150
800	5.59	2.79	57	44	0.0234	1,500	9,013	150	
1000	5.59	2.79	62	44	0.0179	1,000	11,500	150	
3C	38	5.59	2.79	54	44	0.497	3,500	3,168	150
	50	5.59	2.79	56	44	0.386	3,500	3,300	150
	60	5.59	2.79	58	44	0.309	3,000	4,098	150
	80	5.59	2.79	61	44	0.234	3,000	4,400	150
	100	5.59	2.79	64	44	0.184	2,500	5,699	150
	125	5.59	2.79	69	44	0.147	2,500	6,100	150
	150	5.59	2.79	72	44	0.120	2,500	7,606	150
	200	5.59	3.56	78	44	0.0940	2,000	9,369	150
250	5.59	3.56	82	44	0.0736	2,000	11,420	150	
325	5.59	3.56	89	44	0.0576	2,000	13,960	150	