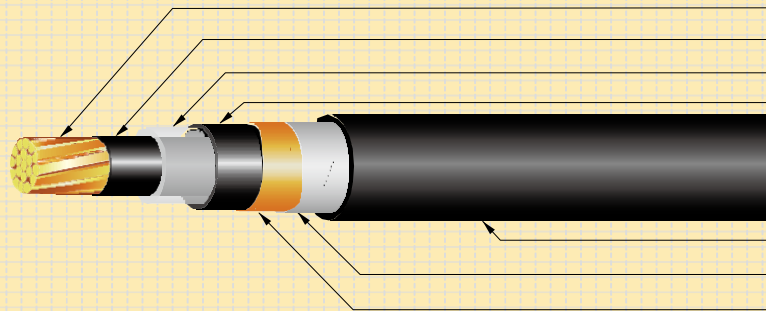
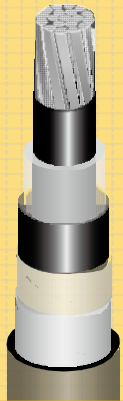


5KV XLPE-PVC Power Cable



- Conductor
- Conductor Screen
- XLPE Insulation
- Insulation Screen
- Sheath
- Separation Tape
- Copper Tape Screen

Construction of 1 core cable

	Conductor Size	Min. Average Thickness of Insulation	Min. Average Thickness of Sheath	Approx. Overall Diameter	A.C. Voltage Test	Max. Conductor D.C. Resistance (20°C)	Min. Insulation Resistance (20°C)	Approx. Cable Weight	Standard Length
	mm ²	mm	mm	mm	KV/5min.	Ω/km	MΩ-km	kg/km	m
1C	8	2.29	1.14	13.0	18	2.31	3,000	244	300
	14	2.29	1.52	15.0	18	1.30	3,000	330	300
	22	2.29	1.52	16.5	18	0.824	2,500	448	300
	30	2.29	1.52	17.5	18	0.623	2,000	510	300
	38	2.29	1.52	18.5	18	0.487	2,000	644	300
	50	2.29	1.52	19.5	18	0.378	2,000	710	300
	60	2.29	1.52	21	18	0.303	2,000	897	300
	80	2.29	1.52	22	18	0.229	2,000	1,030	300
	100	2.29	2.03	25	18	0.180	1,500	1,393	300
	125	2.29	2.03	26	18	0.144	1,500	1,560	300
	150	2.29	2.03	28	18	0.118	1,500	1,950	300
	200	2.29	2.03	30	18	0.0922	1,000	2,386	300
	250	2.29	2.03	33	18	0.0722	1,000	2,987	200
	325	2.29	2.03	35	18	0.0565	1,000	3,698	200
3C	400	2.29	2.03	39	18	0.0454	800	4,510	200
	500	2.29	2.03	41	18	0.0373	800	5,356	150
	600	3.56	2.79	47	18	0.0304	800	6,678	150
	800	3.56	2.79	51	18	0.0234	800	8,468	150
	1000	3.56	2.79	56	18	0.0179	600	10,810	150
	8	2.29	2.03	27	18	2.36	3,000	849	300
	14	2.29	2.03	30	18	1.33	3,000	1,246	300
	22	2.29	2.03	32	18	0.840	2,500	1,431	300
	30	2.29	2.03	34	18	0.635	2,000	1,500	300
	38	2.29	2.03	37	18	0.497	2,000	2,077	300
	50	2.29	2.03	38	18	0.386	2,000	2,150	300
	60	2.29	2.03	42	18	0.309	2,000	2,899	300
	80	2.29	2.03	43	18	0.234	2,000	3,100	300
	100	2.29	2.79	50	18	0.184	1,500	4,514	300
125	2.29	2.79	51	18	0.147	1,500	4,700	300	
150	2.29	2.79	57	18	0.120	1,500	6,323	200	
200	2.29	2.79	61	18	0.0940	1,000	7,659	150	
250	2.29	2.79	67	18	0.0736	1,000	9,668	150	
325	2.29	3.56	72	18	0.0576	1,000	12,220	150	